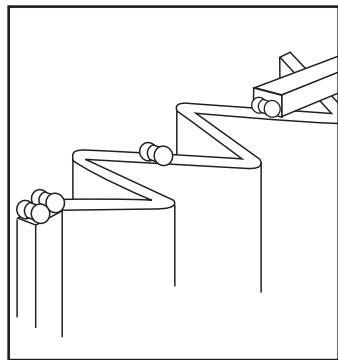




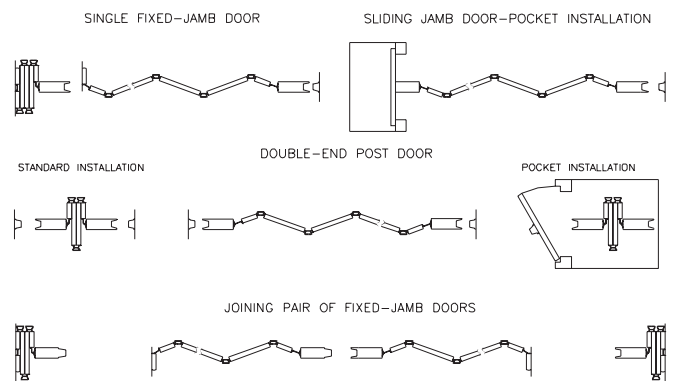
**PRODUCT BRIEF**



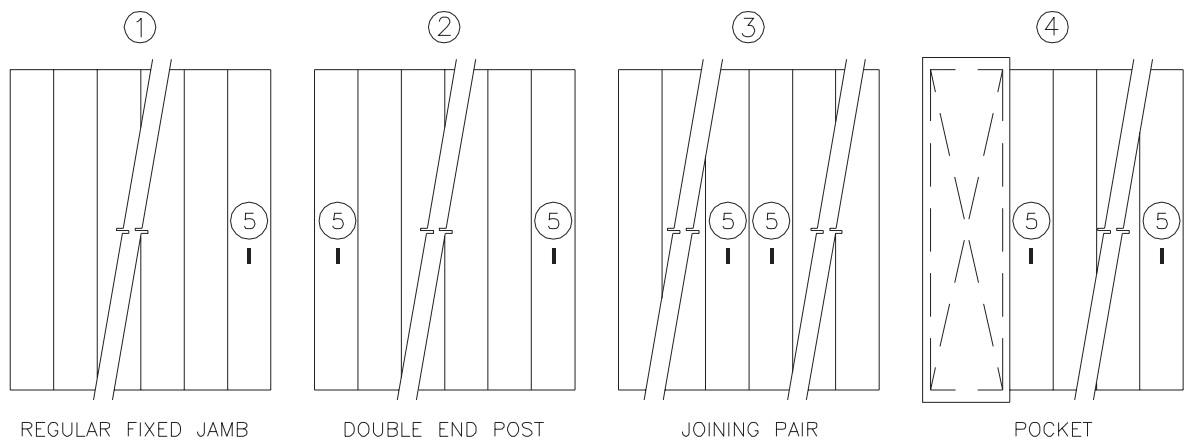
**FEATURES.** Signature® wood folding doors, with the designer's touch, lend uncommon convenience to residential and contract applications. Featuring panels and panel connector mouldings of the same materials, Signature doors blend with traditional or contemporary decor. They also feature aluminum track, double nylon wheels, Touch-Bar™ positive latches and jamb mould, and manual operation. Heights to 8'1" (2464).

**PANEL FINISHES.** Oak, Ash, and Maple wood veneer, Wheatwood™, Honeywood™, and Sablewood™ Woodtex® vinyl; and White Frostex™ vinyl surfacings are offered.

**TYPES OF APPLICATIONS**  
 See pages 2 & 3 for details.



**ELEVATIONS**



**APPLICATIONS DESCRIPTIONS**  
 See page 4 for Product Specifications

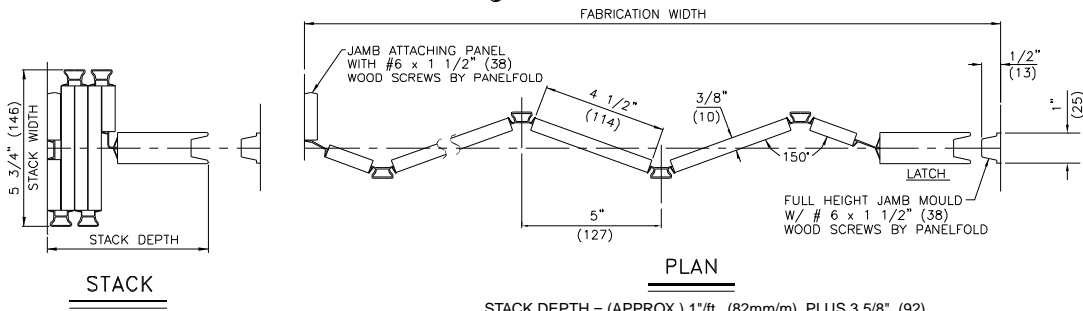
- ① REGULAR FIXED-JAMB doors may be permanently attached at either jamb for single openings. If security features are to be used, either right-hand or left-hand stack should be specified with the security type (cylinder, privacy turn or emergency release) to be installed on the face or reverse side of the door indicated on the drawings.
- ② DOUBLE END POST doors may be latched at both jambs and may be stacked at either end of the opening. Double End Post doors may be used for single openings; joining pairs; or for multiple units in one opening. Double End Post doors can be pocket recessed and must be specified if curved switches are installed.
- ③ JOINING PAIR OF FIXED-JAMB doors may be permanently attached at both jambs for single openings.
- ④ POCKET RECESSED doors may be supplied with a Double End Post or a Sliding Jamb for single openings or for joining pairs of doors.
- ⑤ SECURITY FEATURES may be installed to prevent opening of the doors with keyed cylinders (standard or optionally master-keyed), privacy turns or emergency (coin-slot) releases.



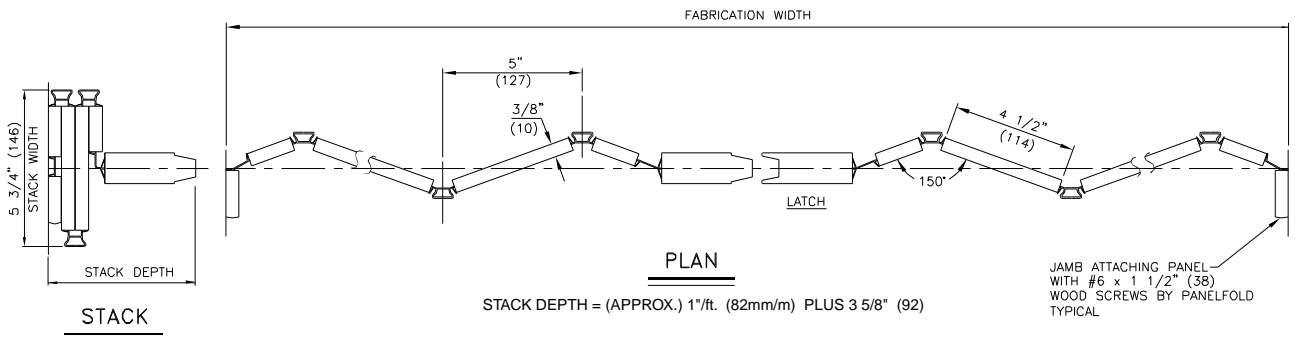
**Signature™**  
Folding Doors

APPLICATIONS DETAILS

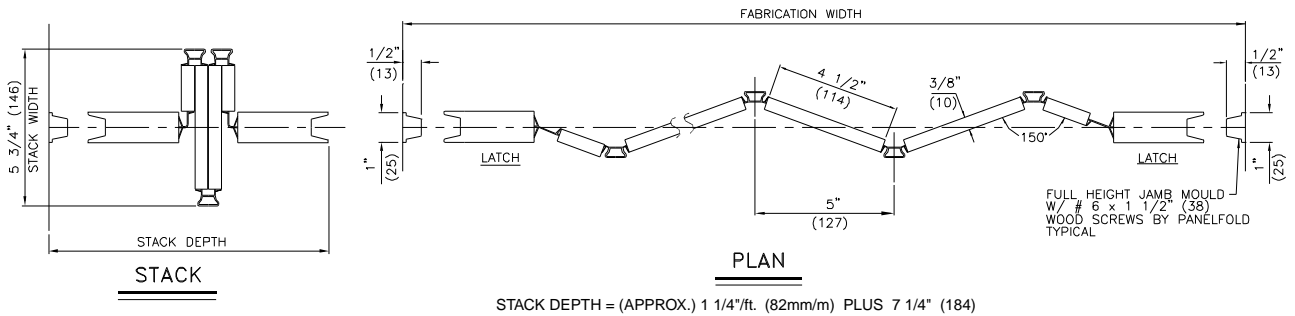
Single Fixed-Jamb Door



Joining Pair Of Fixed-Jamb Doors



Double-End Post Door



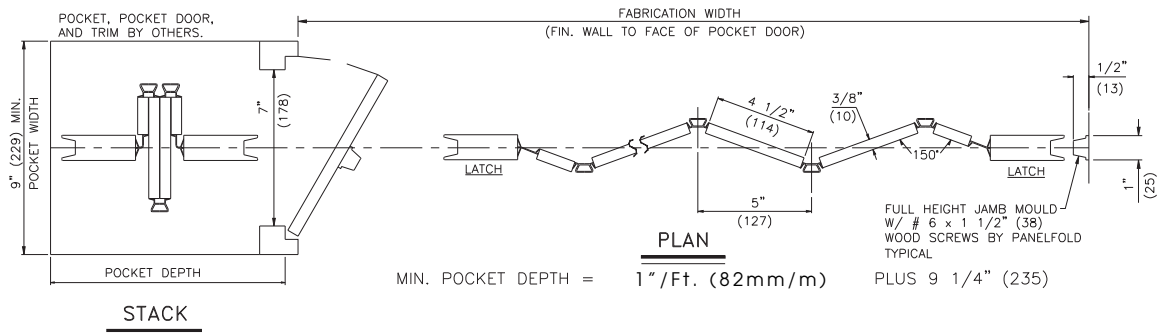
All dimensions shown in parentheses are millimeters. Scale: N.T.S.



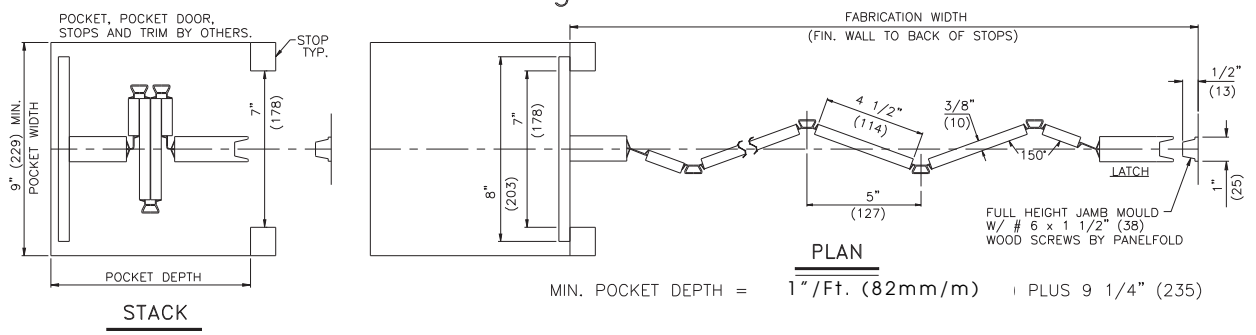
# Signature™ Folding Doors

## APPLICATIONS DETAILS

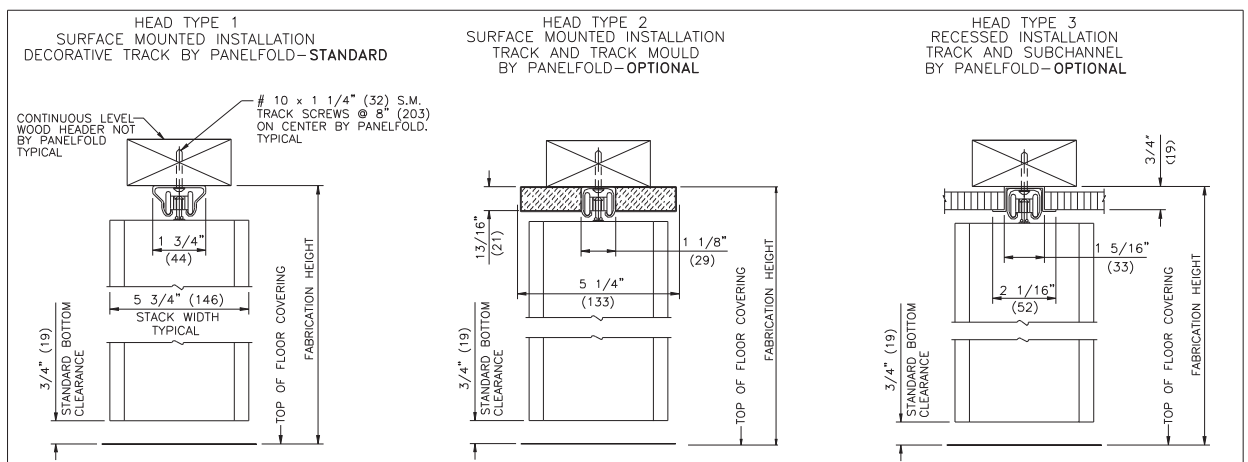
### Double End Post Door–Pocket Installation



### Sliding Jamb Door–Pocket Installation



## VERTICAL SECTION–HEAD DETAILS



All dimensions shown in parentheses are millimeters. Scale: N.T.S.

## Signature®

### PRODUCT SPECIFICATIONS: SECTION 08350 - FOLDING DOORS

#### PART 1 GENERAL

(See Project Guide Specifications for Scope, Related Work, References, Submittals, Product Delivery and Acceptable Manufacturers paragraphs.)

#### PART 2 PRODUCTS

- 2.1 FOLDING DOORS** shall be manually operated wood, folding type as manufactured by Panelfold, Inc., Miami, Florida, U.S.A. and installed by an authorized representative of the manufacturer in openings prepared by others to Signature requirements.
- 2.2 TRACK AND HANGERS:** Track shall be extruded aluminum. Hanger assemblies with two nylon wheels shall be suspended on alternate panels. A four-wheel truck hanger assembly shall be installed on each end post.
- 2.3 PANEL SURFACES:** Panels shall be specially laminated engineered wood core, bonded with water-resistant, plastic glue and surfaced with one of the following: (colors to be selected from manufacturer's standards):
- 2.3.1 Woodtex® Class A flame spread wood grain vinyl shall be specify: Honeywood™; Wheatwood™; or Sablewood™.
- 2.3.2 Frostex™ White solid color vinyl, Class A flame spread with Woodtex® Wheatwood™ connector mouldings.
- 2.3.3 Genuine wood veneer shall be (specify: clear lacquer finished; unfinished, sanded ready for field finishing by others; factory specially finished to match owner's submitted sample) species as specified: White Ash; Red Oak; White Maple.
- 2.4 CONNECTOR MOULDINGS:** Panels shall be connected by shaped mouldings of the same surface and color as the panels except where noted.

- 2.5 TRIM:** Doors shall be supplied with (specify: decorative track; optional plain track with track mould to conceal track; or optional plain track with extruded aluminum sub-channel for recessed track). A jamb mould for jamb closure shall be furnished.
- 2.6 CURVED TRACK, SWITCHES, AND MULTIPLE MEETING POSTS:** Furnish to effect room division as detailed on the plans. Minimum radius 3'0" (914mm).
- 2.7 HARDWARE:** Handles, Touch-Bar automatic latches, all necessary screws, installation hardware and instructions shall be furnished. Security units shall be as specified: Privacy latch and emergency release; cylinder lock one side only; cylinder lock one side, privacy lock other; cylinder lock two sides. Optional. Master-keyed insert type cylinder with lazy cam and flat tail piece, by others, shall be installed in lieu of regularly furnished cylinder.
- 2.8 STACK FORMULA:** Approximately 1"/ft. (82mm/m) plus 3" (76mm) for each end post assembly.
- 2.9 HANGING WEIGHT:** Approximately 1.7 lbs./ft<sup>2</sup> (8kg/m<sup>2</sup>).

#### PART 3 EXECUTION

(See Project Specifications Guide for Execution, Inspection, Preparation, Installation, Cleaning and Demonstration paragraphs.)

- NOTE:** The ASTM - 84 procedure Class A flame spread and other test results referenced herein are for comparison purposes only and are not intended to reflect hazards presented by this or any other materials under actual fire conditions.

For further information, or additional technical information, contact your Panelfold distributor.

**Panelfold®**

FOLDING DOORS • ACOUSTICAL FOLDING PARTITIONS  
OPERABLE WALLS • RELOCATABLE WALLS

Panelfold, Inc. P.O. Box 680130, Miami, Florida 33168  
(305) 688-3501 • FAX: (305) 688-0185