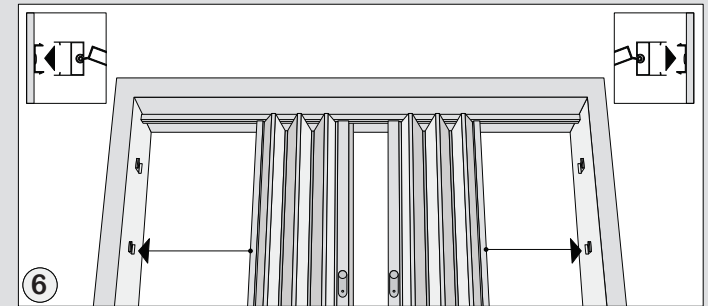
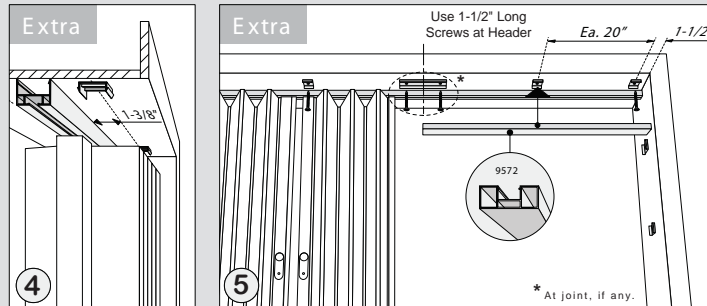
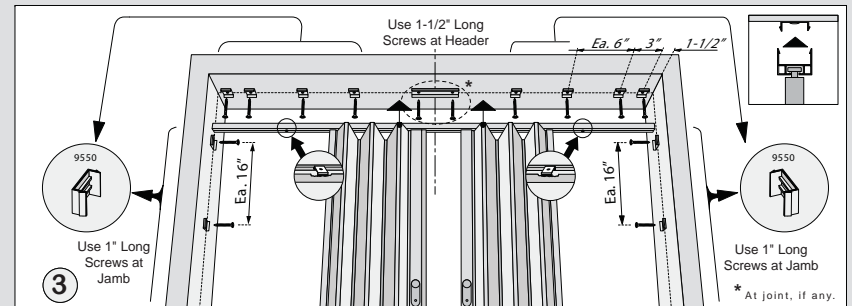
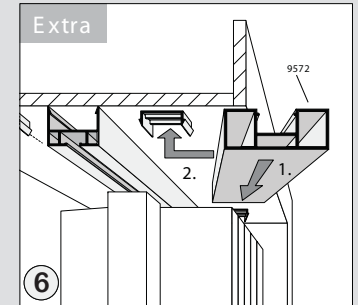
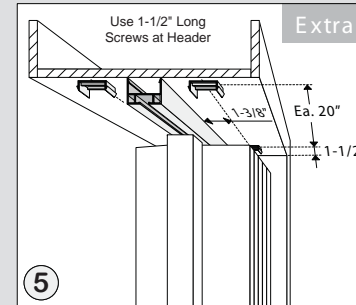
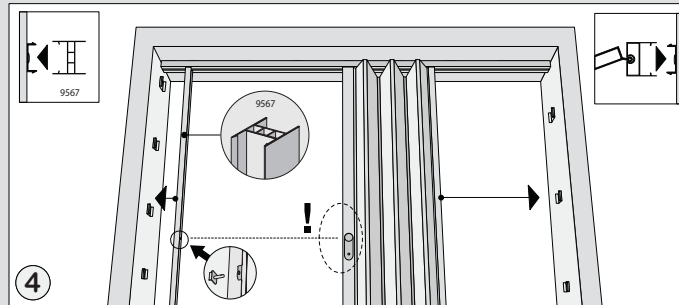
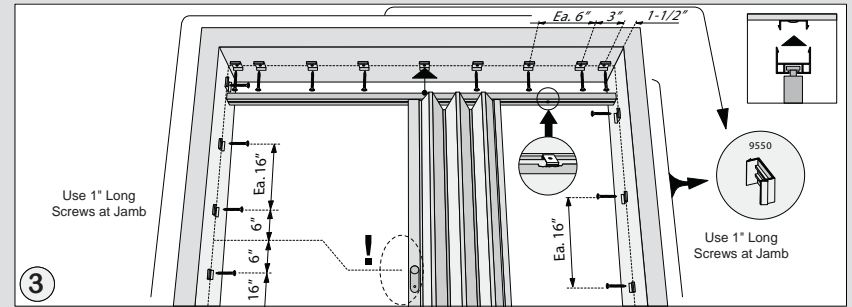
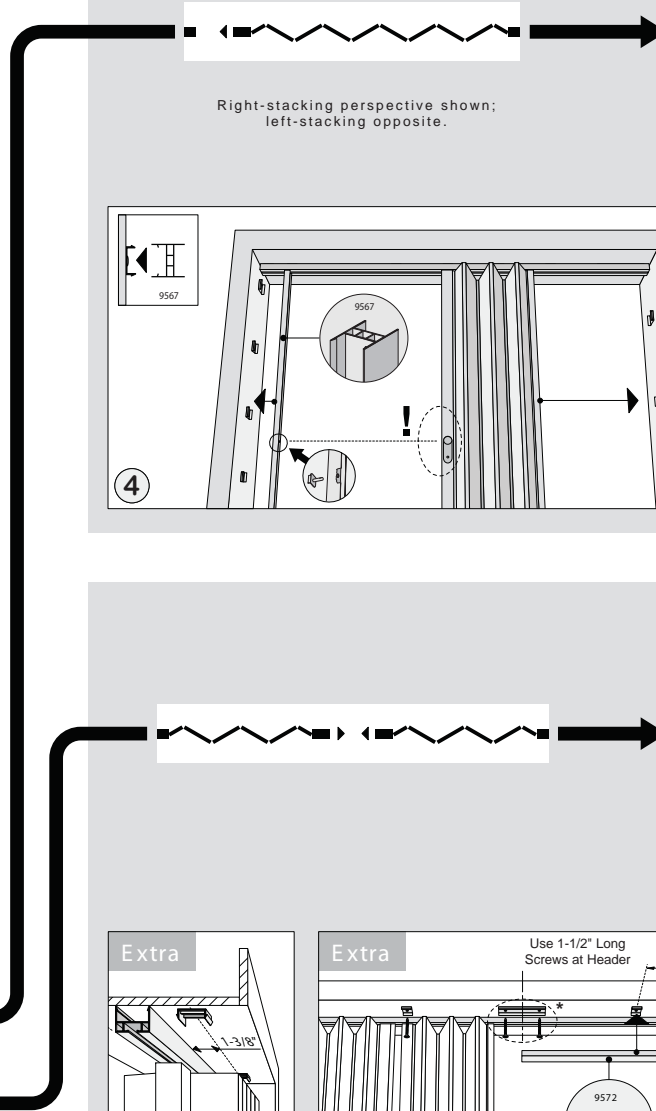
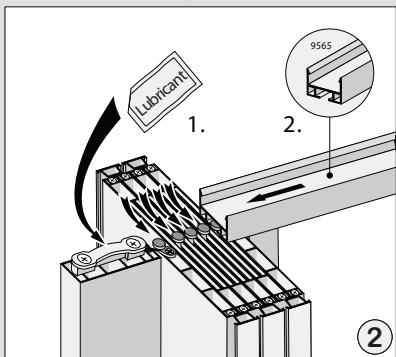
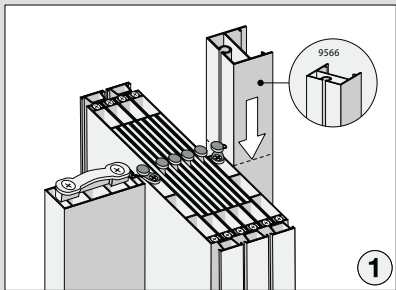
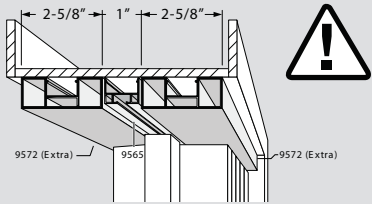




# Lucent™

RIGID VINYL FOLDING DOORS  
 INSTALLATION INSTRUCTIONS



Lucent™, Panelfold®, the Panelfold Logo™, and Panelfold Innovative Space Division Systems™ are either registered trademarks or trademarks of Panelfold, Inc. in the United States and/or other countries.

**LIMITED WARRANTY:** Your Panelfold® door is covered by one (1) year limited warranty. Ask your supplier or contact us for details.